

# Playtower combination

Device line Kantholz

Article 34004

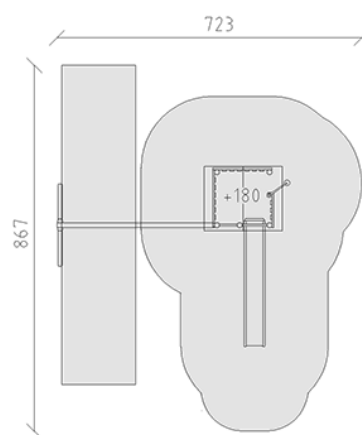
Playtower made of multi-glued Swiss pine, pressure impregnated, for platform height 180 cm, with gable roof, wave slide made of polyester red/yellow, climbing pole made of stainless steel, swing section, suspension device made of stainless steel for one seat, incl. steel foot brackets for minimum installation depth 50 cm.



**CHF 8'425.-**

(excl. VAT)

	Age group	3+
	Device dimensions	553 x 427 x 380 cm
	Space required	867 x 723 cm
	min. impact surface	44.35 m <sup>2</sup>
	Fall height	180 cm
	Heaviest element	245 kg
	Biggest element	150 x 185 x 382 cm
	Foundations	9
	Concrete	1.15 m <sup>3</sup>
	Assembly time	3 h
	Installers	2



**berli**  
Center of play