

Playtower combination

Device line Eco

Article 54252

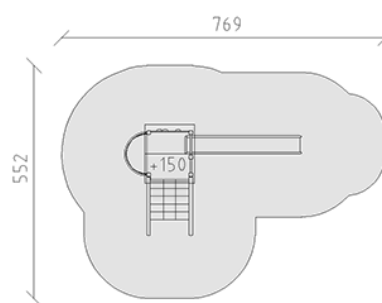
Playtower combination made of multi-glued Swiss pine, pressure impregnated, platform height 150 cm, with gable roof, rung ascent, climbing wall, balcony, climbing net section and slide made of polyester green/green, incl. steel foot bracket for minimum installation depth 50 cm.



CHF 7'435.-

(excl. VAT)

	Age group	3+
	Device dimensions	419 x 262 x 340 cm
	Space required	769 x 552 cm
	min. impact surface	30.9 m ²
	Fall height	150 cm
	Heaviest element	210 kg
	Biggest element	160 x 145 x 340 cm
	Foundations	8
	Concrete	0.75 m ³
	Assembly time	4 h
	Installers	2



buerli
Center of play