

Playtower combination

Device line Eco

Article 54254

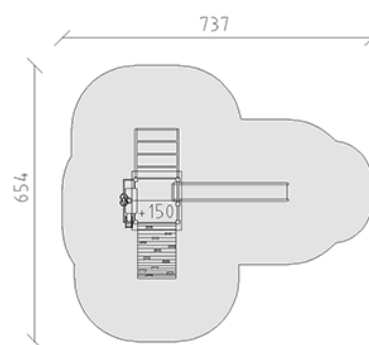
Playtower combination made of multi-glued Swiss pine, pressure impregnated, platform height 150 cm, with gable roof, rung ascent, bent metal ladder, arch ascent, sliding crane, wall element with sand wheel and pouring tube and slide made of polyester red/yellow, incl. steel foot bracket for minimum installation depth 50 cm.



CHF 8'465.-

(excl. VAT)

	Age group	3+
	Device dimensions	400 x 355 x 340 cm
	Space required	737 x 654 cm
	min. impact surface	33.75 m ²
	Fall height	150 cm
	Heaviest element	180 kg
	Biggest element	148 x 145 x 340 cm
	Foundations	10
	Concrete	1 m ³
	Assembly time	5 h
	Installers	2



berli
Center of play