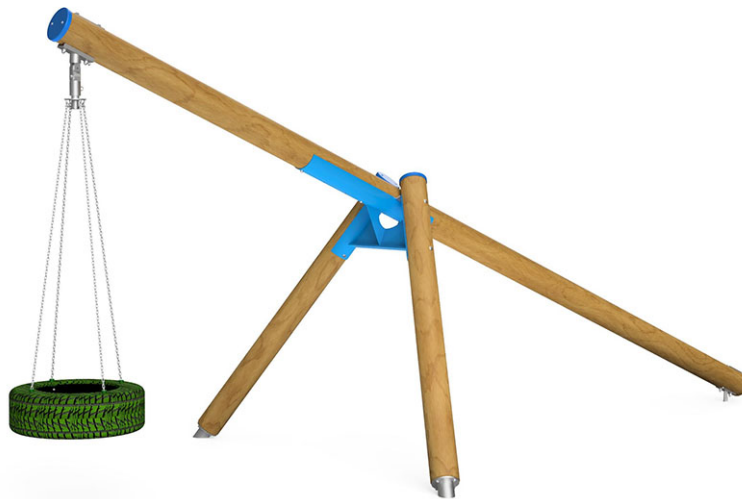


Circular swing

Device line Rundholz

Article 20000

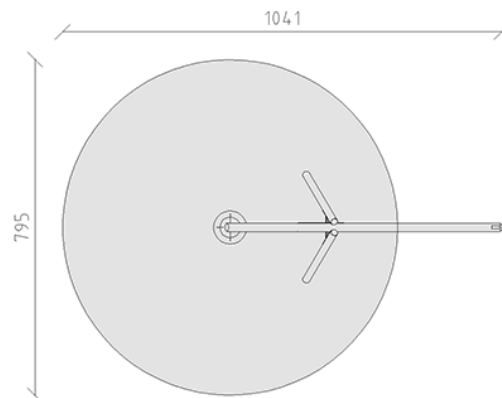
Circular swing made of multi-glued Swiss pine, pressure impregnated, swivel joint suspension part in stainless steel, with pneu swing seat, incl. steel foot bracket for minimum installation depth 67 cm.



CHF 3'795.-

(excl. VAT)

	Age group	3+
	Device dimensions	656 x 266 x 294 cm
	Space required	1041 x 795 cm
	min. impact surface	49,65 m ²
	Fall height	160 cm
	Heaviest element	140 kg
	Biggest element	700 x 80 x 45 cm
	Foundations	3
	Concrete	0.9 m ³
	Assembly time	2 h
	Installers	2



buerli
Center of play