

# Playtower combination

Device line Eco

Article 54275

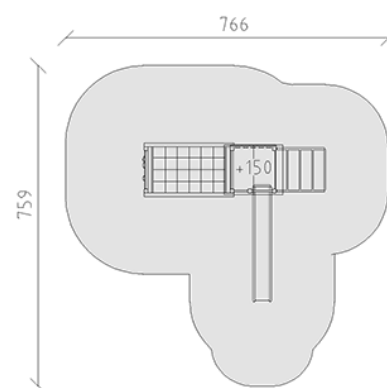
Playtower combination made of multi-glued Swiss pine, pressure impregnated, platform height 150 cm, with gable roof, rung ascent, bent metal ladder, slide made of polyester green/green, combi gymnasts extension with climbing wall, rope ladder, net wall and net canopy, incl. steel foot bracket for minimum installation depth 50 cm.



**CHF 9'200.-**

(excl. VAT)

	Age group	3+
	Device dimensions	433 x 376 x 340 cm
	Space required	766 x 759 cm
	min. impact surface	41.05 m <sup>2</sup>
	Fall height	200 cm
	Heaviest element	165 kg
	Biggest element	118 x 145 x 340 cm
	Foundations	11
	Concrete	1.1 m <sup>3</sup>
	Assembly time	4 h
	Installers	2



**buerli**  
Center of play