

Playtower combination Jano

Device line Modenic

Article 38230

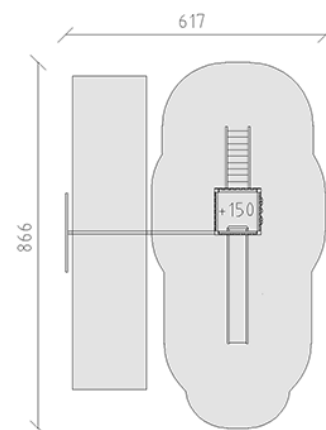
Playtower combination Jano with posts in aluminium, colour anthracite, plank wood of raw Swiss larch, platform height 150 cm, with slide made of grey/anthracite polyester, climbing wall, access steps and add-on swing, for minimum installation depth 60 cm.



CHF 14'195.-

(excl. VAT)

| | | |
|--|---------------------|---------------------|
| | Age group | 3+ |
| | Device dimensions | 516 x 467 x 312 cm |
| | Space required | 866 x 617 cm |
| | min. impact surface | 42.3 m ² |
| | Fall height | 150 cm |
| | Biggest element | 110 x 110 x 365 cm |
| | Assembly time | 4 h |
| | Installers | 2 |



buerli
Center of play