

Play tower combination

Device line Eco

Article 54264

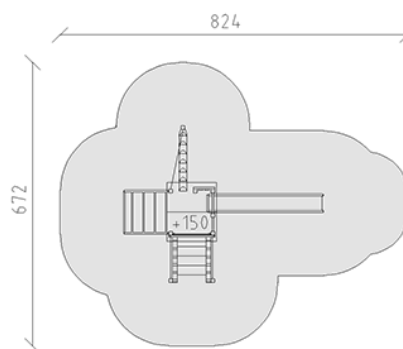
Play tower combination made of multi-glued Swiss pine, pressure-treated, platform height 150 cm, with pitched roof, tree trunk access, metal climbing ladder, combination access and slide made of polyester green/green, incl. steel base bracket for minimum installation depth of 50 cm.



CHF 7'890.-

(excl. VAT)

	Age group	3+
	Device dimensions	474 x 372 x 340 cm
	Space required	824 x 672 cm
	min. impact surface	36.4 m ²
	Fall height	150 cm
	Heaviest element	145 kg
	Biggest element	340 x 140 x 120 cm
	Assembly time	4 h
	Installers	2



berli
Center of play

+41 41 925 14 00
info@berli.swiss