

# Viking tower

Device line Kantholz

Article 35415

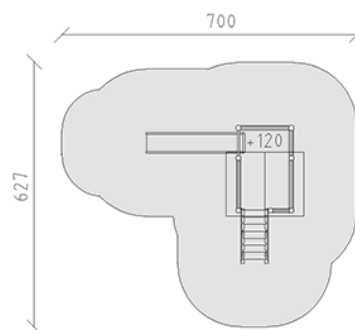
Viking tower made of multi-glued Swiss pine, pressure impregnated, platform height 120 cm, with gable roof, balcony, slide made of polyester green/green, access steps, ear bench, incl. steel foot brackets for minimum installation depth 50 cm.



**CHF 8'060.-**

(excl. VAT)

	Age group	3+
	Device dimensions	375 x 328 x 301 cm
	Space required	700 x 627 cm
	min. impact surface	32 m <sup>2</sup>
	Fall height	120 cm
	Heaviest element	323 kg
	Biggest element	210 x 180 x 322 cm
	Foundations	9
	Concrete	0.85 m <sup>3</sup>
	Assembly time	3 h
	Installers	2



**berli**  
Center of play