

Playtower combination

Device line Kantholz

Article 35440

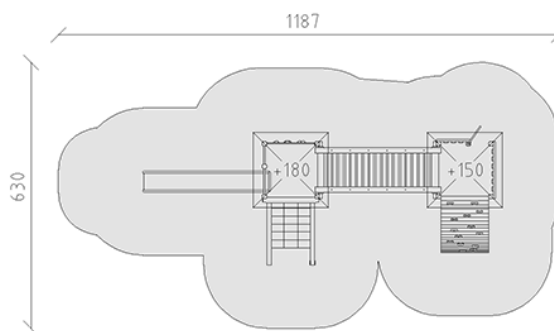
Playtower combination made of multi-glued Swiss pine, pressure impregnated, platform heights 150/180 cm, with pyramid roof and aluminium panel infill, wave slide made of polyester green/green, climbing net section, climbing wall, suspension bridge, arched ascent, fireman's pole, incl. steel foot brackets for minimum installation depth 50 cm.



CHF 18'275.-

(excl. VAT)

	Age group	3+
	Device dimensions	853 x 330 x 399 cm
	Space required	1187 x 630 cm
	min. impact surface	57.45 m ²
	Fall height	180 cm
	Heaviest element	270 kg
	Biggest element	180 x 180 x 400 cm
	Foundations	15
	Concrete	1.6 m ³
	Assembly time	3 h
	Installers	2



buerli
Center of play

+41 41 925 14 00
info@buerli.swiss