

Playtower combination

Device line Kantholz

Article 36400

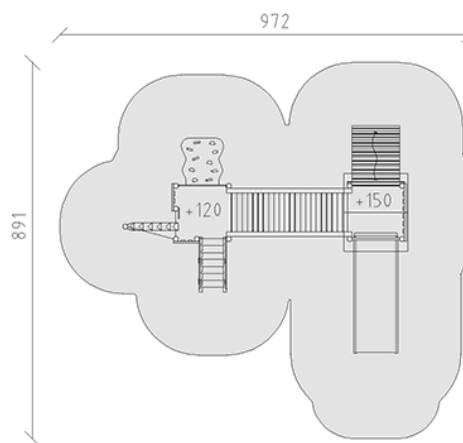
Playtower combination made of multi-glued Swiss pine, pressure impregnated, platform heights 120/150 cm, with gable roof, wide slide made of polyester red/anthracite, inclined ramp, connecting bridge, ascending stairs, tree trunk ascent, climbing ascent, incl. steel foot brackets for minimum installation depth 50 cm.



CHF 16'825.-

(excl. VAT)

	Age group	3+
	Device dimensions	675 x 541 x 351 cm
	Space required	972 x 891 cm
	min. impact surface	62.05 m ²
	Fall height	150 cm
	Heaviest element	230 kg
	Biggest element	150 x 185 x 352 cm
	Foundations	16
	Concrete	1.4 m ³
	Assembly time	4 h
	Installers	2



buerli
Center of play