

Playtower combination

Device line Eco

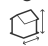



Article 54230

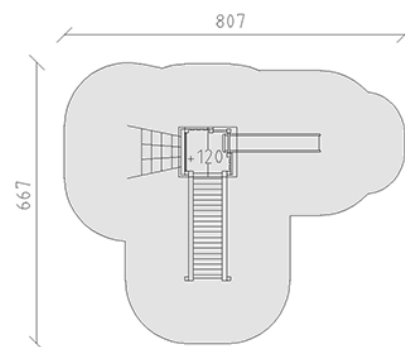
Playtower combination made of multi-glued Swiss pine, pressure impregnated, platform height 120 cm, with gable roof, rung ascent, climbing net ascent, connecting bridge and slide made of polyester red/yellow, incl. steel foot bracket for minimum installation depth 50 cm.



CHF 7'420.-

(excl. VAT)

	Age group	3+
	Device dimensions	457 x 367 x 310 cm
	Space required	807 x 667 cm
	min. impact surface	37.65 m ²
	Fall height	120 cm
	Heaviest element	140 kg
	Biggest element	118 x 145 x 310 cm
	Foundations	10
	Concrete	1.35 m ³
	Assembly time	5 h
	Installers	2



buerli
Center of play