

Playtower combination wood/aluminium

Device line Aluminium

Article 37510

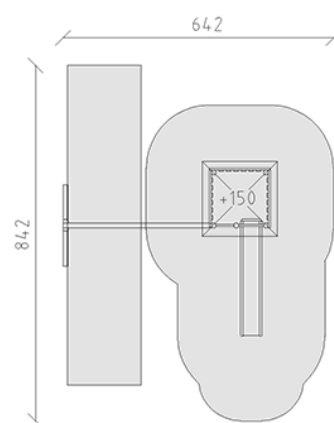
Wood/aluminium playtower combination made of multi-glued Swiss pine, pressure impregnated, red pyramid roof with aluminium panelling, posts made of stove enamelled aluminium, platform height 150 cm, slide made of polyester red/yellow, swing section with stainless steel suspension devices for one seat, minimum installation depth 50 cm.



CHF 9'645.-

(excl. VAT)

	Age group	3+
	Device dimensions	509 x 415 x 369 cm
	Space required	842 x 642 cm
	min. impact surface	40.4 m ²
	Fall height	150 cm
	Heaviest element	282 kg
	Biggest element	180 x 180 x 410 cm
	Foundations	8
	Concrete	1.05 m ³
	Assembly time	3 h
	Installers	2



berli
Center of play