

# Playtower combination

Device line Rundholz

Article 28120

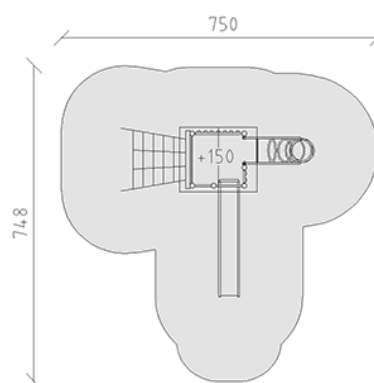
Playtower combination made of multi-glued Swiss pine, pressure impregnated, platform height 150 cm, with gable roof and aluminium panel infill, slide made of polyester red/yellow, climbing net access, metal ribbed access, incl. steel foot brackets for minimum installation depth 50 cm.



**CHF 9'730.-**

(excl. VAT)

	Age group	3+
	Device dimensions	459 x 400 x 351 cm
	Space required	750 x 748 cm
	min. impact surface	38.1 m <sup>2</sup>
	Fall height	150 cm
	Heaviest element	267 kg
	Biggest element	150 x 185 x 349 cm
	Foundations	10
	Concrete	1.35 m <sup>3</sup>
	Assembly time	3 h
	Installers	2



**buri**  
Center of play